

EcoPower[®] Hybrid Ventilation





Originally known as Edmonds® until 2019 then rebranded to Bradford®, a CSR company, in 2020. Bradford is a leading manufacturer of premium ventilation and energy efficiency products including insulation and sarking.

Bradford is passionate about delivering superior comfort and performance whilst reducing the overall impact on the environment. It is this vision of a sustainable future which has resulted in the design and development of many energy efficient innovations. These innovations include natural, wind-driven, hybrid and turbine ventilation technology.

Regarded as a leading industry innovator, Bradford has a range of ventilation products that are engineered and manufactured at its ISO9001 accredited facility in Seven Hills, Australia. It is this manufacturing and technical expertise which makes Bradford a pioneer in home, commercial and industrial ventilation solutions in Australia as well as across the globe.

Bradford, formerly known as Edmonds, has also received numerous awards including the AIRAH Excellence in Sustainability Award in 2013 and Achiever Award in 2008. It was also recognised with a Good Design Award at the 2013 Australian International Design Awards and Master Builders Australia 2012 National Export Award. In 2016 Bradford's EcoPower Hybrid Ventilator won the MEP Services Category in The Big 5 Gaia Awards.

With strong synergies between insulation and ventilation in buildings, Bradford's vision to enable the creation of sustainable environments continues.

EcoPower® was selected by The University of Washington, Molecular Engineering Building to achieve LEED Gold certification.



UL705 versions available



Quality Management standard for Edmonds Seven Hills facility



National Export Award



HVAC Achiever award for EcoPower®



EcoPower®

In a world first, EcoPower® is the only hybrid ventilation unit which incorporates Australian-engineered True-hybrid technology.

Hybrid ventilation is defined as a “two mode (or multi-mode) system that is controlled to minimise energy consumption, while maintaining acceptable indoor air quality and thermal comfort”*. EcoPower® hybrid ventilation will work to ensure a constant supply of fresh air. It combines natural ventilation with a high efficiency electronically commutated (EC) motor in a single unit to ensure reliable and on-demand peak performance, when required.

EcoPower® is capable of operating unhindered in natural mode (wind), or in both natural and energy efficient mechanical modes simultaneously. When required, performance is boosted by activating mechanical operation to ensure desired airflow rates are achieved. Even during mechanical operation, wind power can improve flow rate performance.

EcoPower® installed
at Bradford Seven Hills, NSW, Australia.

*Source : Luther, Mark and Chen, Zhendong 2002-2011, Emerging Technologies in Ventilation, BEDP Environment Design Guide. Vol. Tec 12. pp 1-10.

EcoPower[®]

TRUE HYBRID VENTILATION TECHNOLOGY

TRUE-HYBRID OPERATION

- Australian-engineered world's first 'True-Hybrid' patented ventilation technology.
- Combination of natural operation or a combination natural and mechanical ventilation.
- Powered mode operation to meet demand needs for airflow control and performance.
- Passive ventilation for further energy savings when induced by stack effect and wind, passive ventilation when conditions are suitable.
- Improved indoor air quality and occupant comfort.

UNIQUE OPEN THROAT DESIGN

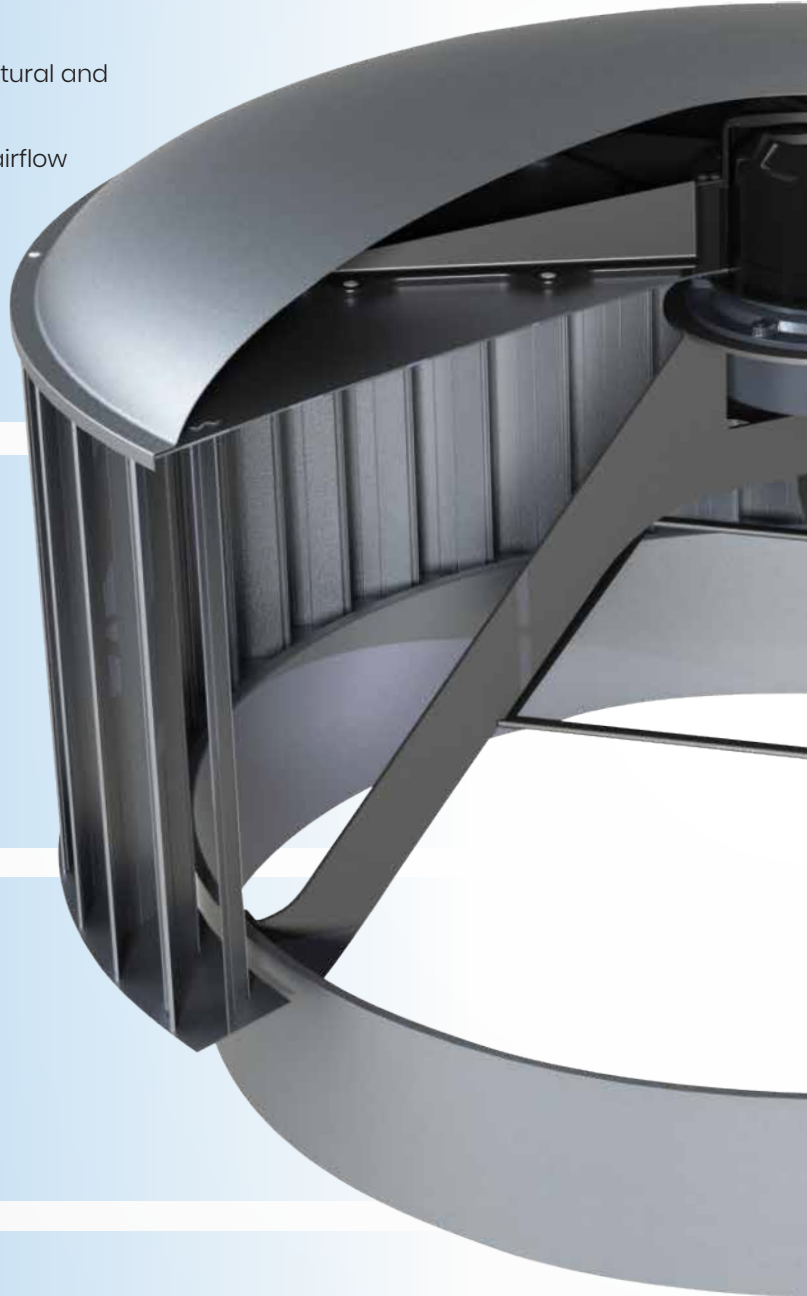
- Eliminated axial fan increases energy efficiency by minimising air friction.
- Improved co-efficient of discharge (Cd), compared to other axial fan assisted vents thus providing better air flow rates.
- Reduced noise versus traditional systems. Only 38dBA @ 3m for EP900.

HIGH PERFORMANCE EDMONDS VERTICAL VANE TECHNOLOGY

- Unique design allows ventilator turbine top to act as the centrifugal impeller.
- Improved co-efficient of flow (Cf), in natural mode compared to traditional spherical vents.

CONTROLS OPTIONS

1. Air iQ enables variable speed operation with either:
 - * Factory pre-set temperature and/or humidity control
 - * Customised temperature and/or humidity control
2. Simple On/off operation
3. External 0-10V input for variable speed operation. Suitable for BMS control.



TOWARDS ZERO
UP TO 90%
MORE EFFICIENT*



0 - 10V VARIABLE
SPEED CONTROL



TEMP. & HUMIDITY
CONTROL
EDMONDS AIR iQ



SUITABLE
FOR HIGH
WINDSPEED



HIGH EFFICIENCY ELECTRONIC COMMUTATED (EC) MOTOR

- Advanced engineering for long lasting performance and durability.
- Unique EC Motor configuration for Edmonds Application.
- Large input voltage range 200-277VAC and 50/60Hz.

MATERIALS

- Marine grade equivalent aluminium as standard.
- Options for highly corrosive environments also available.
- Mill finish or powder coated options to match most COLORBOND® colours.

INSTALLATION BENEFITS

- Significant weight advantage (<40kg). Two-person lift may be achieved versus crane-lift for heavier competitor options (90-100kg).
- Lightweight design means additional structural strengthening of roof may not be required.
- Variable pitch throat design can adapt to most roof angles.

SINGLE PHASE

- Ideal for retrofitting existing sites. 3-phase upgrade not required.

NOISE REDUCTION

- Up to 34dB(A) lower than traditional axial fan technology (same capacity).
- Ideal for residential areas, especially during night-time operation.

WARRANTY

- 10 year warranty/2 year warranty for motor.
- *Conditions apply. Refer to Warranty Document.



WATER INGRESS
PROTECTED



CONFIGURABLE
PRODUCT



AUSTRALIAN
DESIGN

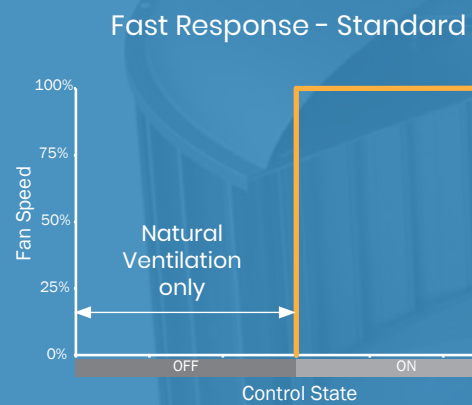
EcoPower®

EcoPower® provides flexible control of your application with the ability to integrate into an existing BMS, or use Air iQ for customised temperature and humidity response tailored to your building's needs.

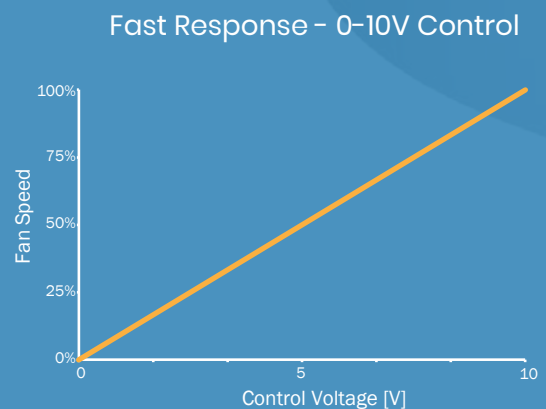
- On/off control wired into a building circuit
- Integrated into a Building Management System (BMS) with a 0-10V interface
- Air iQ controls platform



On/Off function where:
On: EcoPower runs in full speed mode
Off: EcoPower runs in Natural mode



EcoPower can be controlled via a 0-10V input to a Building Management System (BMS) for complete airflow control and visibility.





EcoPower® with Air iQ is integrated with in-built temperature and humidity programs for simple and effective airflow control.

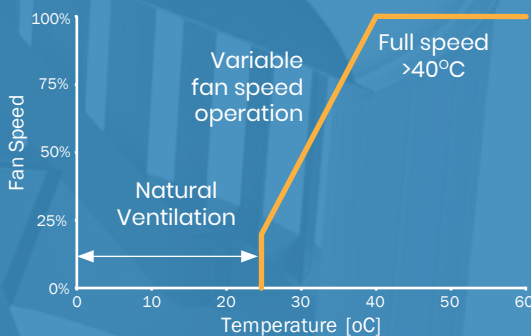
Customised options:

1. Customised temperature only control
2. Customised humidity only control
3. Customised temperature and humidity control

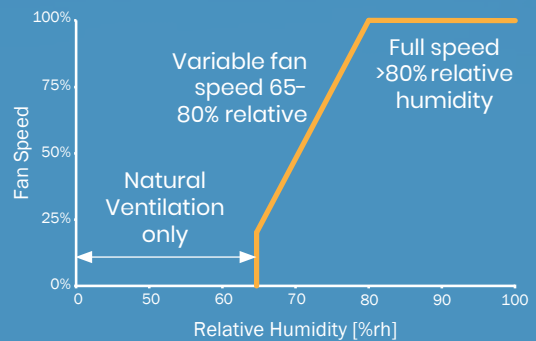
Factory pre-set options:

1. Temperature only control
2. Humidity only control
3. Temperature and humidity control

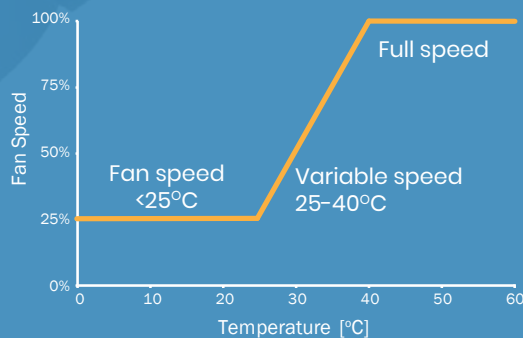
Temperature Control Only



Humidity Control Only



If the combined solution is chosen, EcoPower will analyse the temperature and humidity conditions and automatically select the profile with the highest fan speed.



This example shows continuous ventilation at temperatures < 25°C with increasing fan speed responding to temperature > 25°C

ENERGY SAVINGS

An EP900 can achieve up to \$13,000* electricity cost savings (up to 86%) over a 10 year period versus National Construction Code of Australia 2012 requirements.

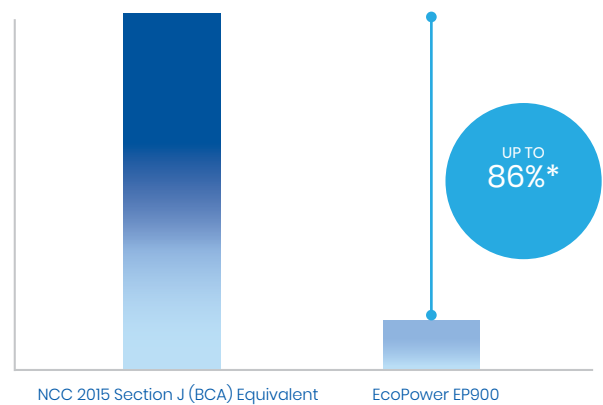
For a system without filters, the NCC 2015 Section J 5.2a, states “when the air flow rate of a mechanical ventilation system is more than 1000 L/s, the system must have a fan power to air flow rate ratio” of 0.65 W/(L/s).

In comparison, EcoPower EP900 have a fan motor power to air flow ratio of 0.0864 W/(L/s). This equates to an energy reduction of 86.7%.

Annual electricity cost calculation for a commercial building installed with 10 ventilators based on:

- 12 hours on and 12 hours off x 365 days
- Flow rate of 2,778 L/s

This translates to a saving of up to \$13,000 per annum (86.7%*) or up to \$130,000 over a 10 year period life when compared to the NCC 2015 BCA Section J requirement.



Technology	Power Usage (kW)	Fan Motor power to air flow ratio W/(L/s)	Annual Electricity Cost (\$)
NCC* requirement	1.8	0.65	\$5,694
EcoPower EP900	0.25	0.0864	\$757

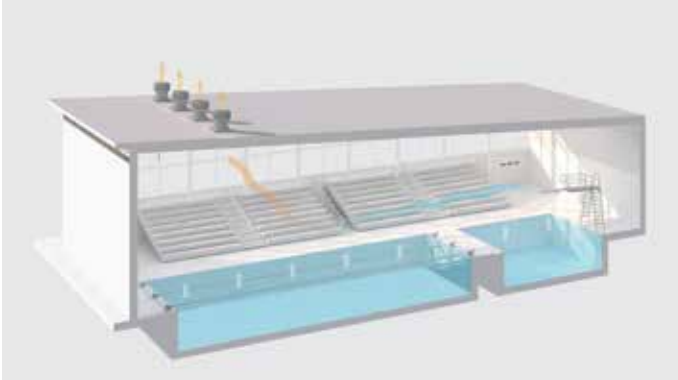
Based on 12 hours on / 12 hours off @ \$0.20 per kWh x 365 days for 10 units
 *versus NCC 2015 BCA Section J Requirements

PRODUCT SELECTOR

	Product	EcoPower®
	External Environment	Standard
	Schools, Colleges and Universities	
	Mix-use halls, bathrooms, change rooms	●
	Classrooms or lecture halls	●
	Laboratories	●
	Computer labs, data centers, server rooms	●
	Retail	
	Restrooms, parenting rooms, bathrooms	●
	Shops, arcades & centers, showrooms	●
	Carparks: enclosed and multi storey	●
	Multi-Res	
	Units, townhouses	●
	Apartments	
	Carparks: enclosed and multi storey	●
	Industrial	
	Water and sewerage plants, pipes and storage	
	Power stations, substations	●
	Food & beverage processing plants	
	Abattoirs, Breweries, Dairies, Bakeries, Wineries	●
	Silos, Grain elevators	
	Commercial	
	Offices	●
	Carparks: enclosed and multi storey	●
	Warehouse storage	●
	Data centers / server room	●
	Warehouse, Manufacturing, Factories: Light industries	
	Caustic Soda, sulphuric acid handling facilities	
	Light chemical fumes concentration	
	Welding/powder coating facilities	●
	Exhaust fumes - Petrol, diesel	●
	Bathrooms, change rooms	●
	Storage warehouse	●
	Flammable material storage	
	Carparks: enclosed and multi storey	●
	Public, Sporting and Social Buildings	
	Police, ambulance, fire stations	●
	Airport, bus, rail & sea	●
	Religious Buildings, chapels	●
	Community centres, Youth centres	●
	Retirement villages	●
	Sports, gyms, stadiums, auditoriums & townhalls	●
	Aquatic centers, swimming pools	●
	Carparks: enclosed and multi storey	●
	Agricultural	
	Poultry coop, pigpen/sty	
	Stable	
	Root cellar	
	Hatcheries	●

PROJECTS AND APPLICATIONS

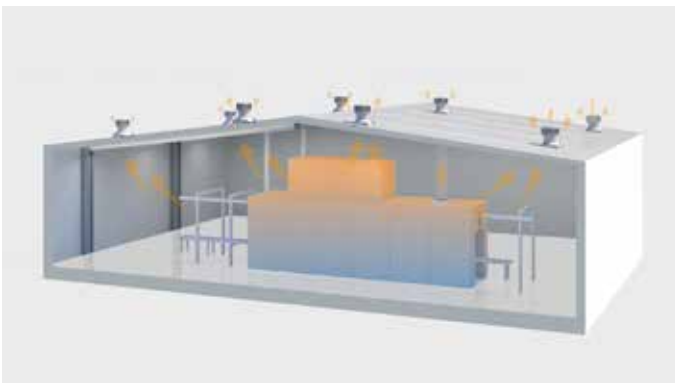
AUDITORIUMS, HALLS AND GYMNASIUMS



Aquatic centre

Large spaces with high occupancy usage load are often accompanied by excess heat build-up. In many cases, natural ventilation is not adequate during times of high usage periods. EcoPower allows demand controlled ventilation to significantly increase the rate of extraction. This delivers better airflow control, improved occupant comfort and reduces the load on air conditioning systems.

INDUSTRIAL, FACTORIES AND WAREHOUSE FACILITIES

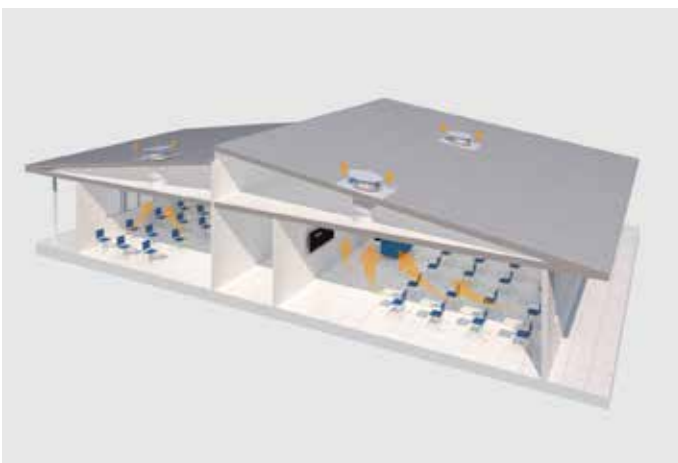


Factory

EcoPower can be configured and programmed to automatically respond to set temperatures and/or humidity using Air iQ control platform or 0-10V inputs to your Building Management System (BMS).

Applications include meat and dairy processing plants, refrigerated warehouses, dry goods storage and data centres.

CLASSROOMS



Classroom

When ducted to the ceiling, EcoPower allows natural ventilation during the day to meet or exceed minimum outdoor air ventilation rates requirements of AS1688.2 and ASHRAE standard 62.1. The powered mode can be activated at night, by a timer or temperature sensor. The night purge operation removes excess heat in the room or building, allowing cool night air to cool the building down. This reduces air conditioning load and lowers energy consumption.



University of Washington

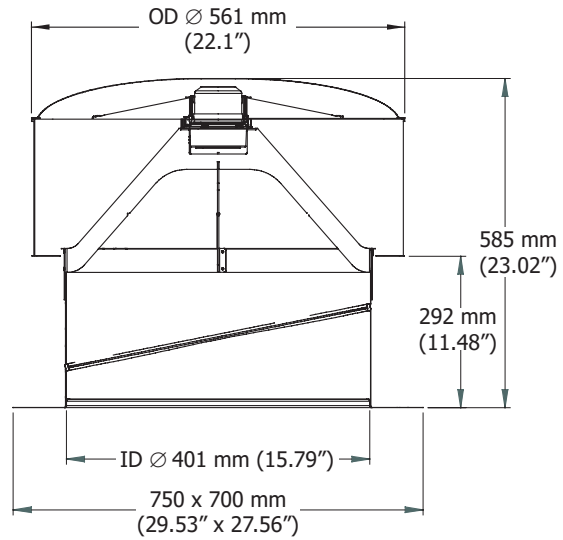
MULTI-STOREY BUILDINGS – VENTILATION SHAFTS

When The University of Washington committed to achieving and exceeding the high sustainability rating benchmarks set by LEED Gold, the smart choice for ventilation came down to just one product. EcoPower® from Bradford Ventilation.. EcoPower significantly reduced the building's energy footprint without compromising occupant comfort. Other benefits included reducing the area requiring air conditioning by 40%, reducing energy consumption to 180-200W per unit which equated to a 63 – 76% saving. Significant noise reduction was also achieved.

PRODUCT INFORMATION

TURBINE, VARIPITCH AND FLASHING

Voltage [V]	200 - 277
Frequency [Hz]	50 - 60
Pmax [kW]	0.06
Imax [A]	0.3
Roof Opening Diameter (mm)	400
Roof Opening Diameter (°)	15.75
Weight [kg]	9.42
Weight [lbs]	20.8
Max Amb. Temp [°C]	60
Max Amb. Temp (°F)	140



* Tolerance is within
+/- 5mm and +/- 0.5 kgs +/- 0.2 inches and +/- 1.1 Lbs

PERFORMANCE DATA

Test at nominal value of 230V, 50Hz, and 360RPM

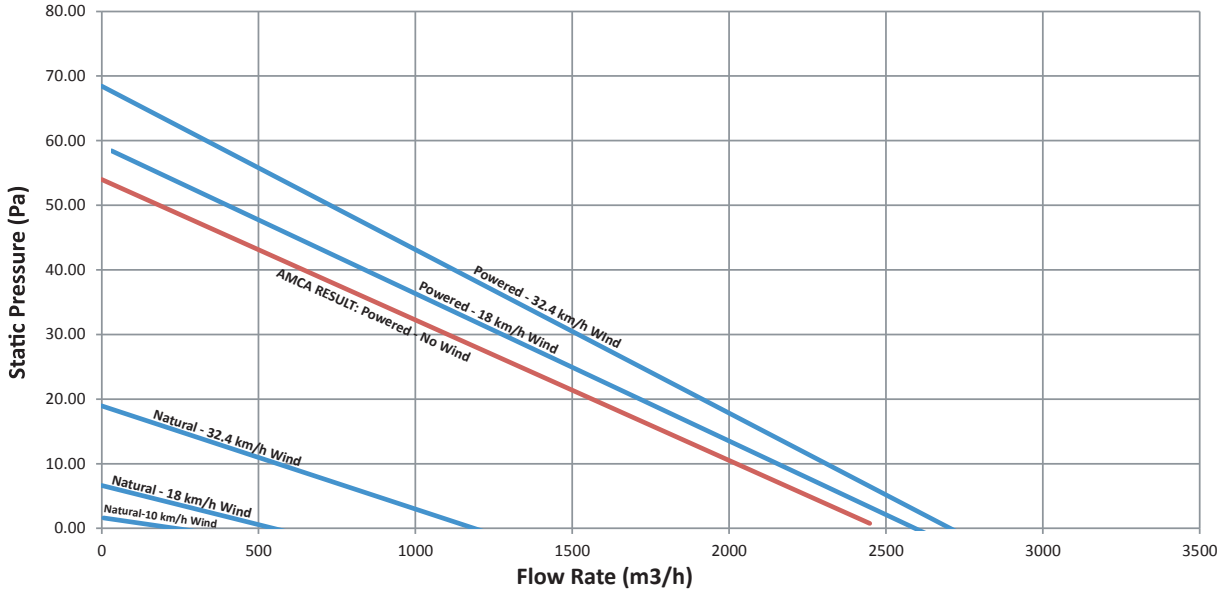
EP400		Static Pressure (Pa)				
		0Pa 0 in.H ₂ O	14Pa 0.056 in.H ₂ O	22Pa 0.088 in.H ₂ O	27Pa 0.108 in.H ₂ O	
RPM		344	334	334	337	
Flow Rate @ no wind	CFM	1 441	1 165	865	720	
	m ³ /hr	2 448	1 980	1 476	1 224	
Power	BHP	0.076	0.079	0.076	0.075	
	Motor Input Watt (kW)	0.057	0.059	0.057	0.056	
Sones @15m		5.3	3.5	2.9	3.4	
Sound Power Level LwA (dB)		65	56	52	52	
Sound Pressure level dB(A)	Distance (m)	1.0	57	48	44	44
		1.5	53	44	40	40
		2.0	51	42	38	38
		3.0	47	38	34	34
		4.0	45	36	32	32
		5.0	43	34	30	30
		6.0	41	32	28	28
		7.0	40	31	27	27
		8.0	39	30	26	26
9.0	38	29	25	25		

Performance ratings do not include the effects of appurtenances (accessories). Performance certified is for installation type A – Free inlet, Free outlet. Values shown are for inlet LWiA sound power levels for Installation Type A: free inlet, free outlet. The A-weighted sound ratings shown have been calculated per AMCA International Standard 301. The sound ratings shown are loudness values in fan sones at 1.5 m (5 ft) in a hemispherical free field calculated per AMCA International Standard 301. Values shown are for Installation Type A: free inlet hemispherical sone levels.



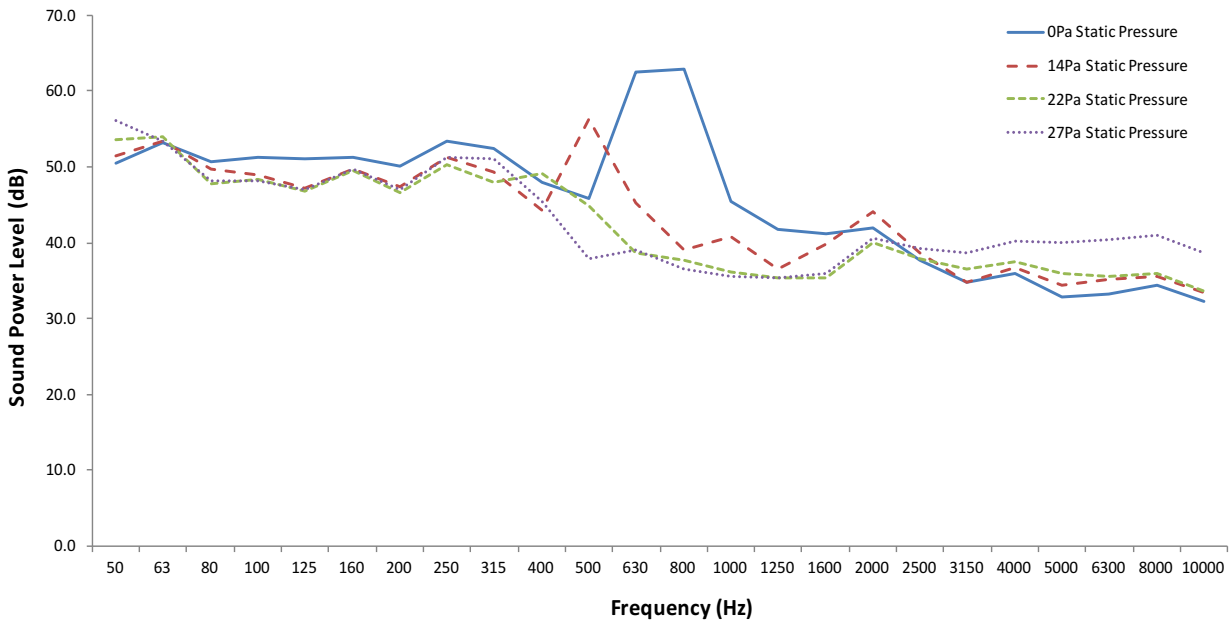
CSR Building Products Ltd T/A CSR Bradford certifies that the EcoPower hybrid ventilators shown herein are licensed to bear the AMCA Seal. The ratings shown are based on tests and procedures performed in accordance with AMCA Publication 211 and AMCA Publication 311 and company with the requirements of AMCA Certified Ratings Program.

TESTED CHARACTERISTIC CURVES – POWERED AND NATURAL



Airflow rates are tested in accordance with ISO5801, equivalent to AMCA Standard 210. Natural performance and wind assisted data is tested as per ISO5801 with an external wind source providing a constant source of wind across the specimen. Wind assisted tests performed by Edmonds on Edmonds in house test equipment. Wind assisted performance testing is outside the scope of AMCA's test standards.

TESTED SOUND PRESSURE LEVEL : ONE - THIRD OCTAVE

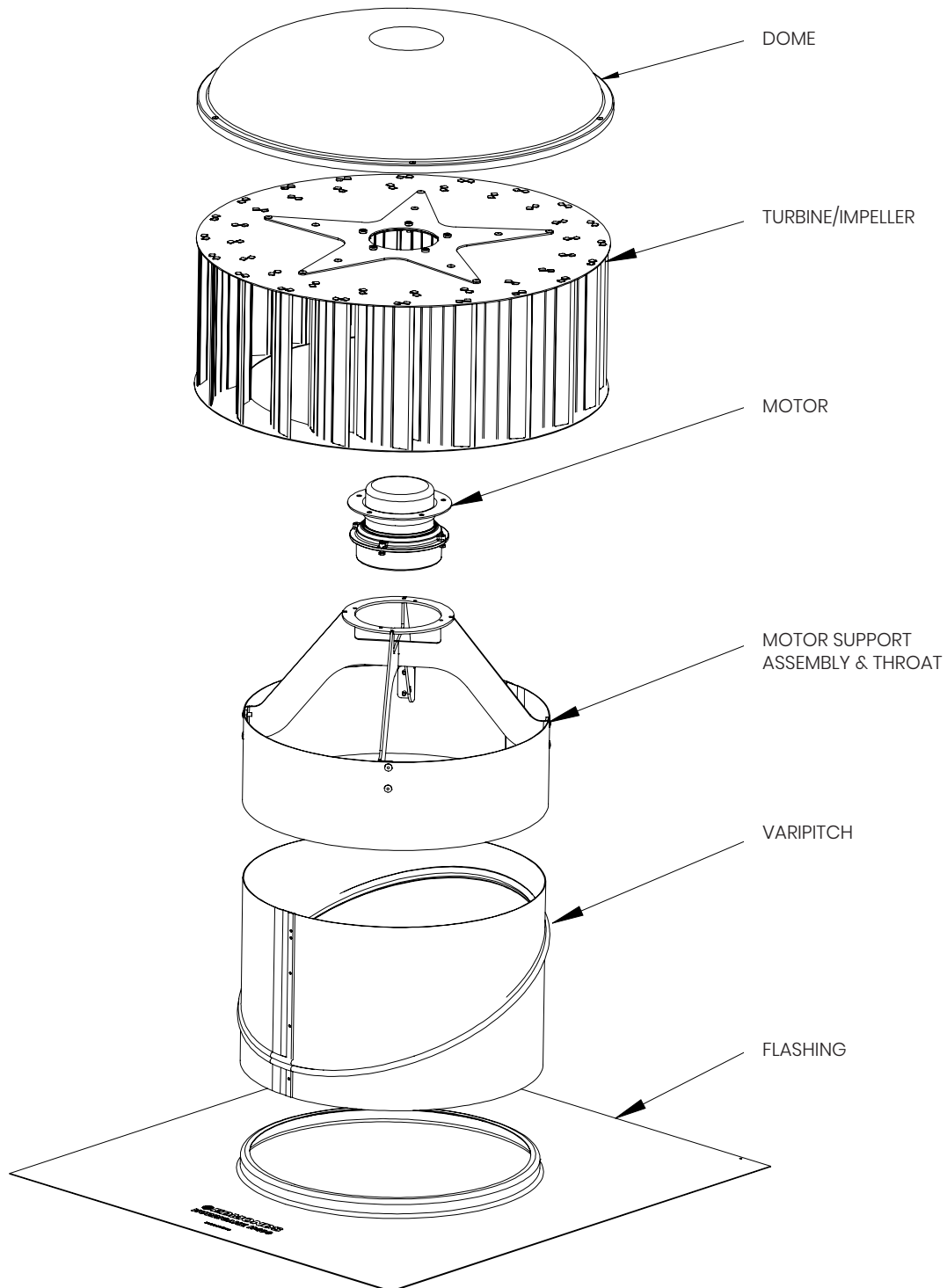


Testing was conducted by AMCA. Performance certified is for installation type A – Free inlet, Free outlet. Rating method E (Direct Drive, As Run Speed, Low Slip Motor). Values shown are for sound inlet LWI power levels for: Installation Type A: free inlet, free outlet. The sound power level ratings shown are in decibels, referred to 10-12 watts, calculated per AMCA International Standard 301. The A-weighted sound ratings shown have been calculated per AMCA International Standard 301. Performance ratings do not include the effects of appurtenances (accessories).



CSR Building Products Ltd T/A CSR Bradford certifies that the EcoPower hybrid ventilators shown herein are licensed to bear the AMCA Seal. The ratings shown are based on tests and procedures performed in accordance with AMCA Publication 211 and AMCA Publication 311 and company with the requirements of AMCA Certified Ratings Program.

EXPLODED VIEW



DESIGN SPECIFICATIONS

PERFORMANCE

Roof mounted ventilator shall be EP400. Ventilator air flow performance shall be tested in accordance with ISO5801, equivalent to ANSI / AMCA standard 210-07, figure 15 setup, installation type A. Fan sound performance shall be tested and stated in accordance to AMCA standard 300-08, figure 2 setup, installation type A. Noise must be less than or equal to 53dB(A) @1.5m with max power consumption at 60W or better.

OPEN THROAT

The hybrid ventilator shall incorporate an open throat design. This design improves air flow rates by eliminating the need for a separate axial fan.

DRIVE ASSEMBLY

The ventilator shall use a direct drive centrifugal design where the bearing system of the motor functions as the bearing system of the ventilator. This means the vent can be free spinning under wind load and/or power activated as conditions require.

MOTOR

The hybrid ventilator shall use a high efficiency single phase Electronic Commutation (EC) motor.

CONSTRUCTION

Ventilator shall be constructed with high quality engineering materials:

- Dome, turbine and throat shall be made of aluminium.
- The brackets shall be powder coated or polyolefin mild steel.
- Support arms and motor housing shall be glass reinforced Nylon 6.
- Available in a range of colours upon request.

CONTROLS

The hybrid ventilator shall be controlled by either:

1. On/off switch control, or
2. Air iQ with factory pre-set temperature control, or
3. Air iQ with factory pre-set humidity control, or
4. Air iQ with factory pre-set temperature and humidity control, or
5. Air iQ with factory customised temperature and humidity control, or
6. 0-10V operation with BMS control

ACCESSORIES

When specified, accessories such as manual damper, electric damper, EC damper grilles, and special bases (spigot, square to round and ex base) are available upon request.

WARRANTY

CSR Building Products Limited ABN 55 008 631 356 T/A Bradford Ventilation ("Bradford") warrants from the date of purchase, for a period of TWO (2) YEARS that the Electronic Commutating Motor and for a period of TEN (10) YEARS that the Turbine Body of the Bradford EcoPower® Hybrid Ventilator will retain its performance characteristics and be free from faulty materials and workmanship on the condition that the vent is installed in accordance to the installation instructions. Please refer to Warranty Document on bradfordventilation.com.au for full details.

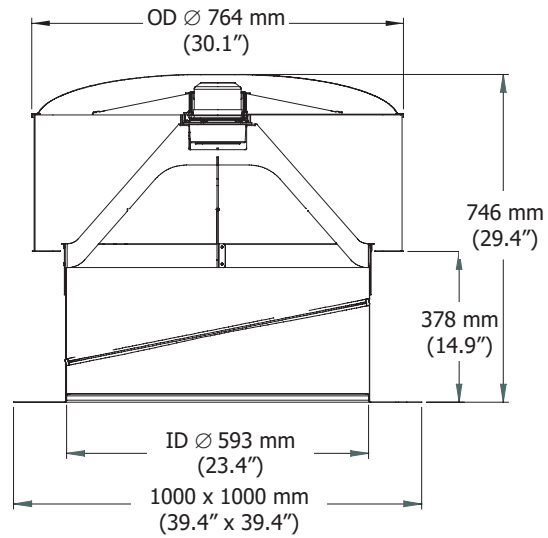
* Compared to traditional mechanical ventilators



PRODUCT INFORMATION

TURBINE, VARIPITCH AND FLASHING

Voltage [V]	200 - 277
Frequency [Hz]	50 - 60
Pmax [kW]	0.099
Imax [A]	0.47
Roof Opening Diameter (mm)	600
Roof Opening Diameter (°)	23.62
Weight [kg]	18.14
Weight [lbs]	40
Max Amb. Temp [°C]	50
Max Amb. Temp (°F)	122



* Tolerance is within
+/- 5mm and +/- 0.5 kgs +/- 0.2 inches and +/- 1.1 Lbs

PERFORMANCE DATA

Test at nominal value of 230V, 50Hz, and 360RPM

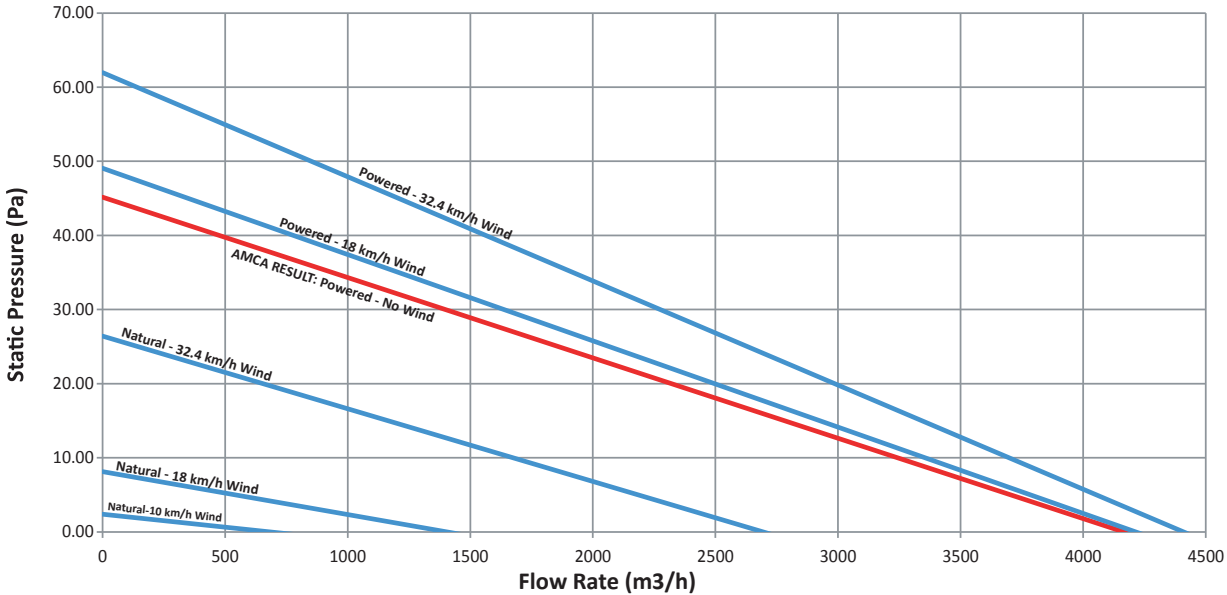
EP600			Static Pressure (Pa)			
			0Pa 0 in.H ₂ O	8Pa 0.032 in.H ₂ O	16Pa 0.064 in.H ₂ O	23Pa 0.092 in.H ₂ O
RPM						
Flow Rate @ no wind	CFM					
	m ³ /hr					
Power	BHP					
	Motor Input Watt (kW)					
Sones @15m						
Sound Power Level LWA (dB)						
Sound Pressure level dB(A)	Distance (m)	1.0	46	47	47	49
		1.5	42	43	43	45
		2.0	40	41	42	43
		3.0	36	37	37	39
		4.0	34	35	35	37
		5.0	32	33	33	35
		6.0	30	31	31	33
		7.0	29	30	30	32
		8.0	28	29	29	31
9.0	27	28	28	30		

Performance ratings do not include the effects of appurtenances (accessories). Performance certified is for installation type A – Free inlet, Free outlet. Values shown are for inlet LWiA sound power levels for Installation Type A: free inlet, free outlet. The A-weighted sound ratings shown have been calculated per AMCA International Standard 301. The sound ratings shown are loudness values in fan sones at 1.5 m (5 ft) in a hemispherical free field calculated per AMCA International Standard 301. Values shown are for Installation Type A: free inlet hemispherical sone levels.



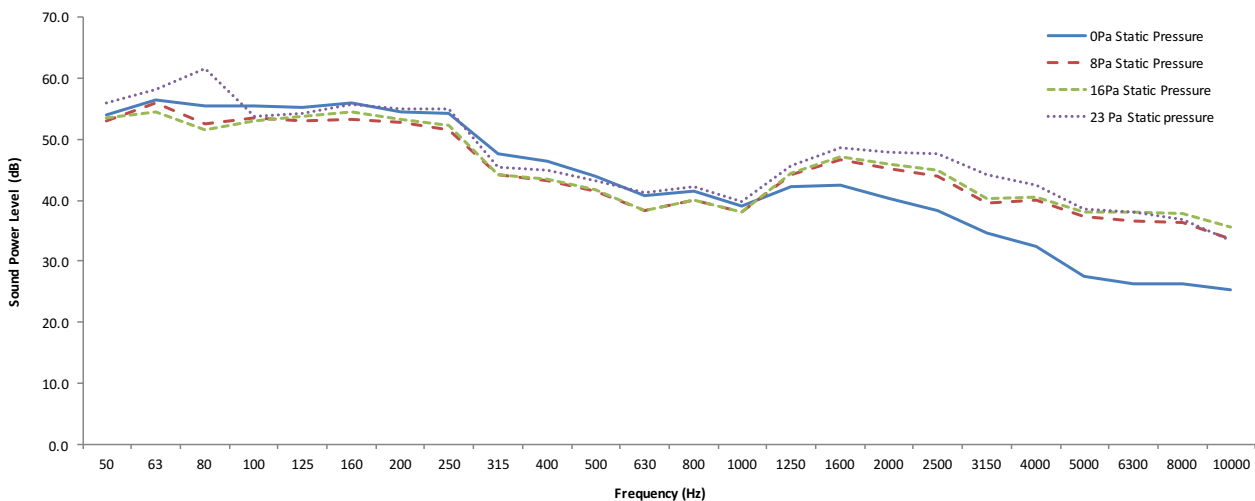
CSR Building Products Ltd T/A CSR Bradford certifies that the EcoPower hybrid ventilators shown herein are licensed to bear the AMCA Seal. The ratings shown are based on tests and procedures performed in accordance with AMCA Publication 211 and AMCA Publication 311 and company with the requirements of AMCA Certified Ratings Program.

TESTED CHARACTERISTIC CURVES - POWERED AND NATURAL



Airflow rates are tested in accordance with ISO5801, equivalent to AMCA Standard 210. Natural performance and wind assisted data is tested as per ISO5801 with an external wind source providing a constant source of wind across the specimen. Wind assisted tests performed by Edmonds on Edmonds in house test equipment. Wind assisted performance testing is outside the scope of AMCA's test standards.

TESTED SOUND PRESSURE LEVEL : ONE - THIRD OCTAVE

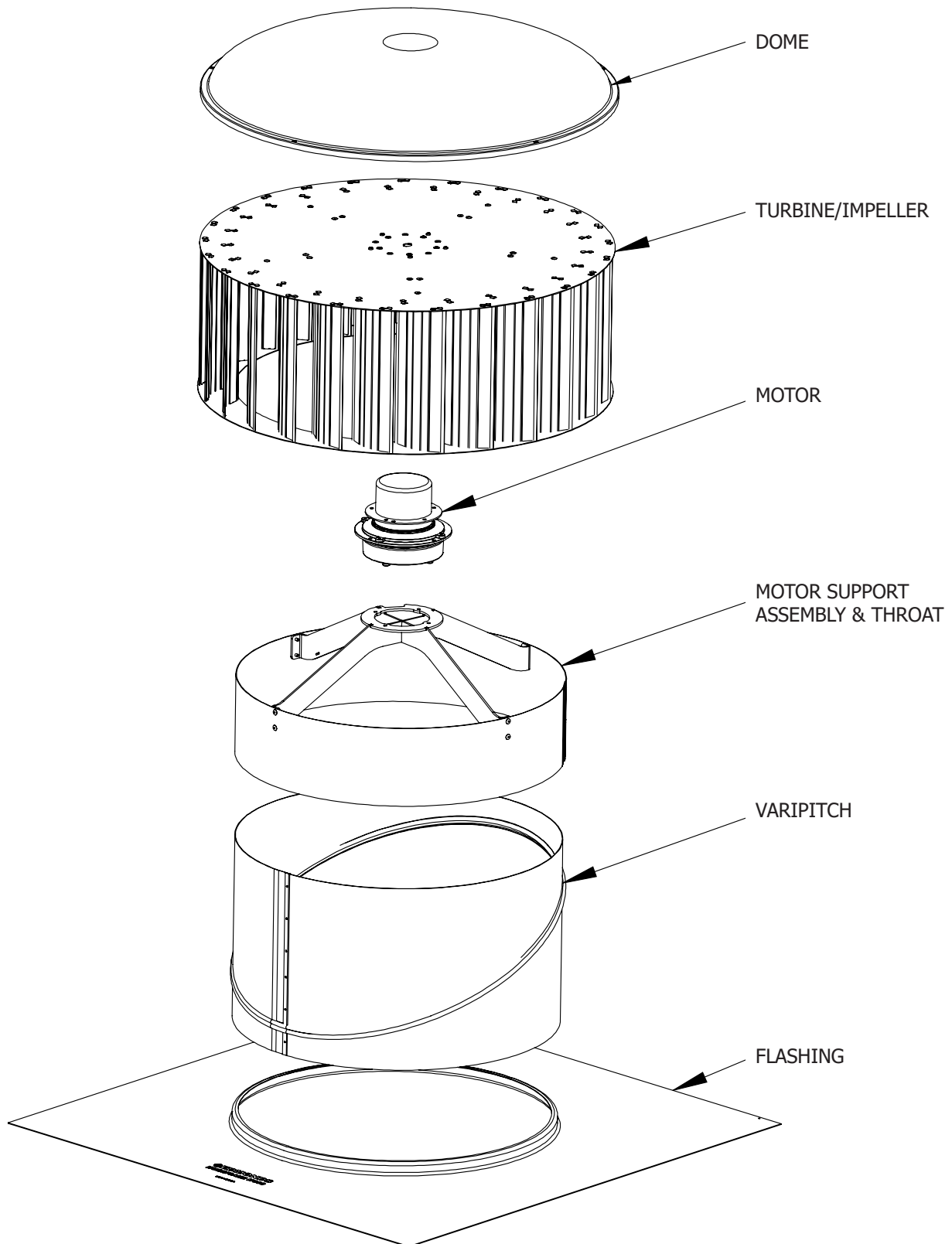


Testing was conducted by AMCA. Performance certified is for installation type A - Free inlet, Free outlet. Rating method E (Direct Drive, As Run Speed, Low Slip Motor). Values shown are for sound inlet LWI power levels for: Installation Type A: free inlet, free outlet. The sound power level ratings shown are in decibels, referred to 10-12 watts, calculated per AMCA International Standard 301. The A-weighted sound ratings shown have been calculated per AMCA International Standard 301. Performance ratings do not include the effects of appurtenances (accessories).



CSR Building Products Ltd T/A CSR Bradford certifies that the EcoPower hybrid ventilators shown herein are licensed to bear the AMCA Seal. The ratings shown are based on tests and procedures performed in accordance with AMCA Publication 211 and AMCA Publication 311 and company with the requirements of AMCA Certified Ratings Program.

EXPLODED VIEW



DESIGN SPECIFICATIONS

PERFORMANCE

Roof mounted ventilator shall be EP600. Ventilator air flow performance shall be tested in accordance with ISO5801, equivalent to ANSI / AMCA standard 210-07, figure 15 setup, installation type A. Fan sound performance shall be tested and stated in accordance to AMCA standard 300-08, figure 2 setup, installation type A. Noise must be less than or equal to 45dB(A) @1.5m with max power consumption at 98.8W or better.

OPEN THROAT

The hybrid ventilator shall incorporate an open throat design. This design improves air flow rates by eliminating the need for a separate axial fan.

DRIVE ASSEMBLY

The ventilator shall use a direct drive centrifugal design where the bearing system of the motor functions as the bearing system of the ventilator. This means the vent can be free spinning under wind load and/or power activated as conditions require.

MOTOR

The hybrid ventilator shall use a high efficiency single phase Electronic Commutation (EC) motor.

CONSTRUCTION

Ventilator shall be constructed with high quality engineering materials:

- Dome, turbine and throat shall be made of aluminium.
- The brackets shall be powder coated or polyolefin mild steel.
- Support arms and motor housing shall be glass reinforced Nylon 6.
- Available in a range of colours upon request.

CONTROLS

The hybrid ventilator shall be controlled by either:

1. On/off switch control, or
2. Air iQ with factory pre-set temperature control, or
3. Air iQ with factory pre-set humidity control, or
4. Air iQ with factory pre-set temperature and humidity control, or
5. Air iQ with factory customised temperature and humidity control, or
6. 0-10V operation with BMS control

ACCESSORIES

When specified, accessories such as manual damper, electric damper, EC damper grilles, and special bases (spigot, square to round and ex base) are available upon request.

WARRANTY

CSR Building Products Limited ABN 55 008 631 356 T/A Bradford Ventilation ("Bradford") warrants from the date of purchase, for a period of TWO (2) YEARS that the Electronic Commutating Motor and for a period of TEN (10) YEARS that the Turbine Body of the Bradford EcoPower® Hybrid Ventilator will retain its performance characteristics and be free from faulty materials and workmanship on the condition that the vent is installed in accordance to the installation instructions. Please refer to Warranty Document on edmonds.com.au for full details.

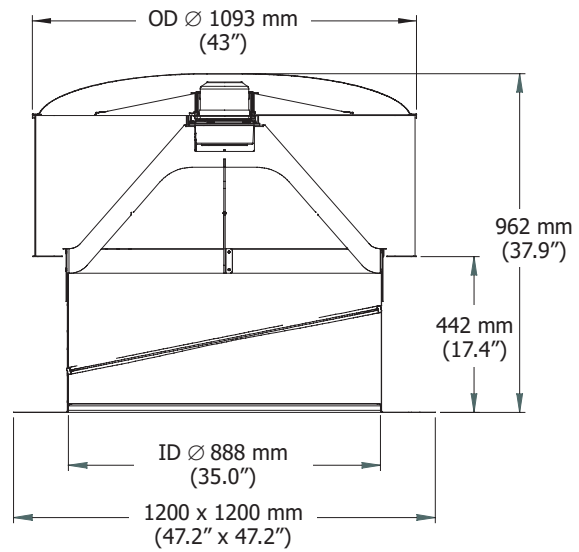
* Compared to traditional mechanical ventilators



PRODUCT INFORMATION

TURBINE, VARIPITCH AND FLASHING

Voltage [V]	200 - 277
Frequency [Hz]	50 - 60
Pmax [kW]	0.212
I _{max} [A]	1.21
Roof Opening Diameter (mm)	900
Roof Opening Diameter (°)	35.43
Weight [kg]	36
Weight [lbs]	79.4
Max Amb. Temp [°C]	60
Max Amb. Temp (°F)	140



* Tolerance is within
+/- 5mm and +/- 0.5 kgs +/- 0.2 inches and +/- 1.1 Lbs

PERFORMANCE DATA

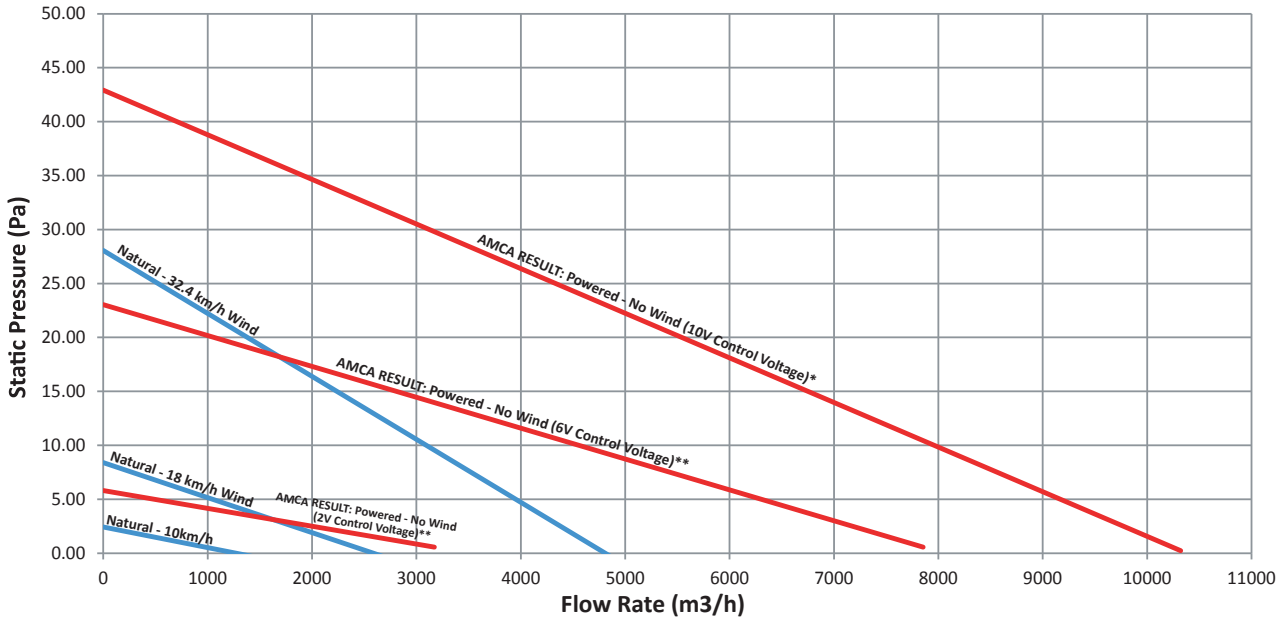
EP900			Static Pressure (Pa)			
			0Pa 0 in.H ₂ O	14Pa 0.056 in.H ₂ O	22Pa 0.088 in.H ₂ O	27Pa 0.108 in.H ₂ O
RPM						
Flow Rate @ no wind	CFM					
	m ³ /hr					
Power	BHP					
	Motor Input Watt (kW)					
Sones @15m						
Sound Power Level L _{WA} (dB)						
Sound Pressure level dB(A)	Distance (m)	1.0	46	46	48	47
		1.5	42	42	44	43
		2.0	40	40	42	41
		3.0	36	36	38	37
		4.0	34	34	36	35
		5.0	32	32	34	33
		6.0	30	30	32	31
		7.0	29	29	31	30
		8.0	28	28	30	29
9.0	27	27	29	28		

Performance ratings do not include the effects of appurtenances (accessories). Performance certified is for installation type A – Free inlet, Free outlet. Values shown are for inlet LWiA sound power levels for Installation Type A: free inlet, free outlet. The A-weighted sound ratings shown have been calculated per AMCA International Standard 301. The sound ratings shown are loudness values in fan sones at 1.5 m (5 ft) in a hemispherical free field calculated per AMCA International Standard 301. Values shown are for Installation Type A: free inlet hemispherical sone levels.



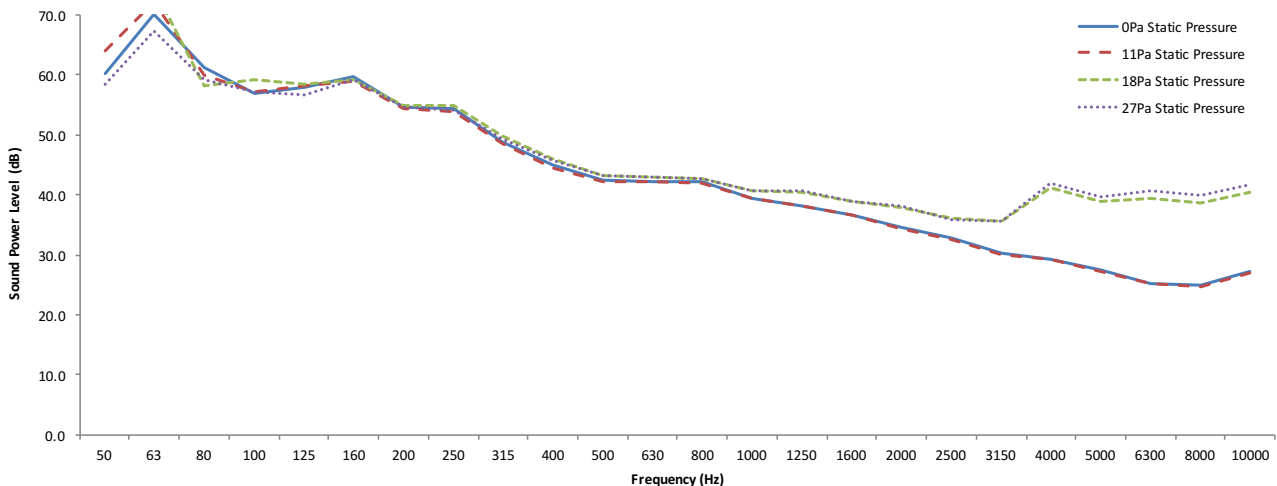
CSR Building Products Ltd T/A CSR Bradford certifies that the EcoPower hybrid ventilators shown herein are licensed to bear the AMCA Seal. The ratings shown are based on tests and procedures performed in accordance with AMCA Publication 211 and AMCA Publication 311 and company with the requirements of AMCA Certified Ratings Program.

TESTED CHARACTERISTIC CURVES - POWERED AND NATURAL



Airflow rates are tested in accordance with ISO5801, equivalent to AMCA Standard 210. Natural performance and wind assisted data is tested as per ISO5801 with an external wind source providing a constant source of wind across the specimen. Wind assisted tests performed by Edmonds on Edmonds in house test equipment. Wind assisted performance testing is outside the scope of AMCA's test standards.

TESTED SOUND POWER LEVEL : ONE - THIRD OCTAVE

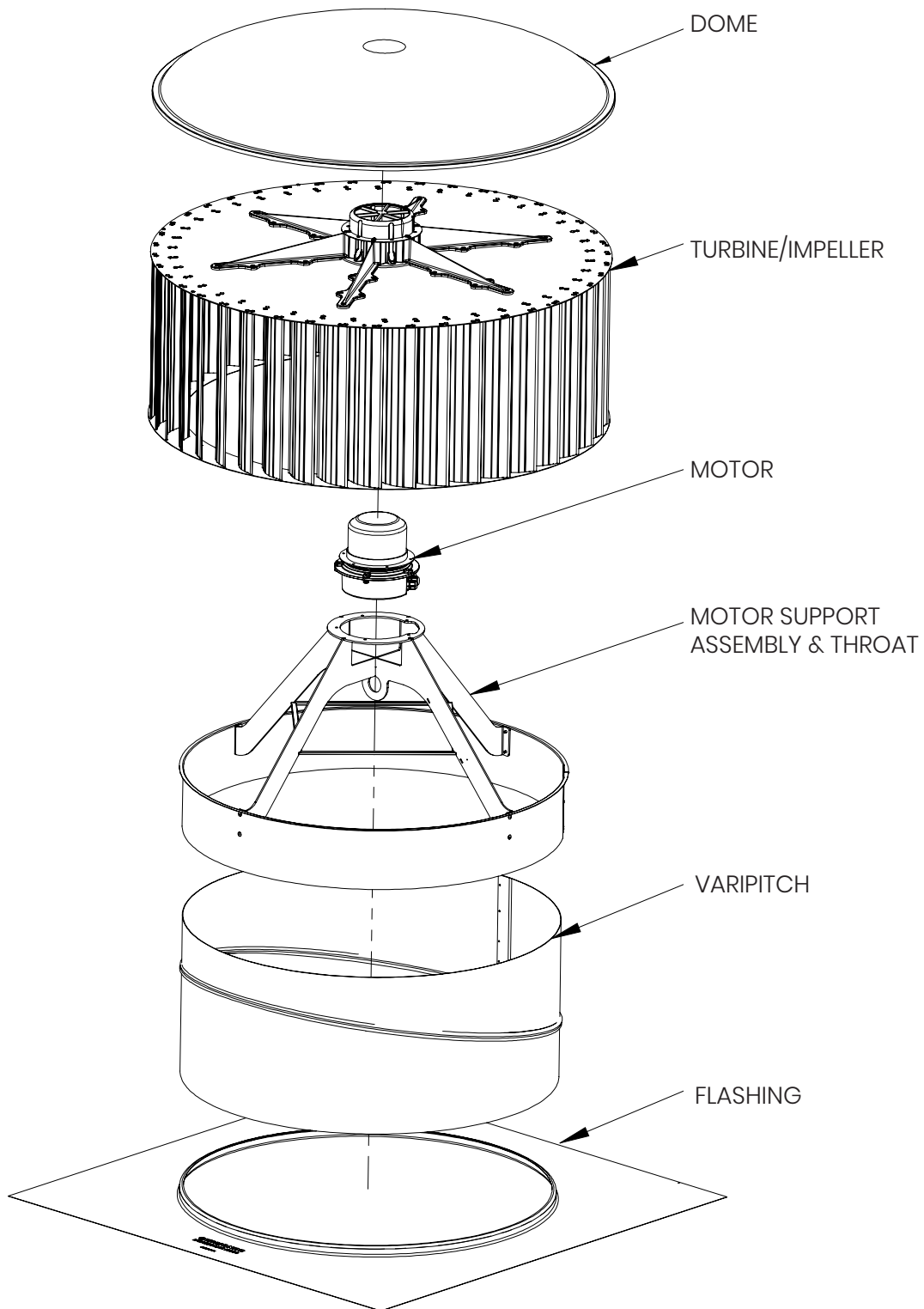


Testing was conducted by AMCA. Performance certified is for installation type A - Free inlet, Free outlet. Rating method E (Direct Drive, As Run Speed, Low Slip Motor). Values shown are for sound inlet LWi power levels for: Installation Type A: free inlet, free outlet. The sound power level ratings shown are in decibels, referred to 10-12 watts, calculated per AMCA International Standard 301. The A-weighted sound ratings shown have been calculated per AMCA International Standard 301. Performance ratings do not include the effects of appurtenances (accessories).



CSR Building Products Ltd T/A CSR Bradford certifies that the EcoPower hybrid ventilators shown herein are licensed to bear the AMCA Seal. The ratings shown are based on tests and procedures performed in accordance with AMCA Publication 211 and AMCA Publication 311 and company with the requirements of AMCA Certified Ratings Program.

EXPLODED VIEW



DESIGN SPECIFICATIONS

PERFORMANCE

Roof mounted ventilator shall be EP900. Ventilator air flow performance shall be tested in accordance with ISO5801, equivalent to ANSI / AMCA standard 210-07, figure 15 setup, installation type A. Fan sound performance shall be tested and stated in accordance to AMCA standard 300-08, figure 2 setup, installation type A. Noise must be less than or equal to 44dB(A) @1.5m with max power consumption at 212W or better.

OPEN THROAT

The hybrid ventilator shall incorporate an open throat design. This design improves air flow rates by eliminating the need for a separate axial fan.

DRIVE ASSEMBLY

The ventilator shall use a direct drive centrifugal design where the bearing system of the motor functions as the bearing system of the ventilator. This means the vent can be free spinning under wind load and/or power activated as conditions require.

MOTOR

The hybrid ventilator shall use a high efficiency single phase Electronic Commutation (EC) motor.

CONSTRUCTION

Ventilator shall be constructed with high quality engineering materials:

- Dome, turbine and throat shall be made of aluminium.
- The brackets shall be powder coated or polyolefin mild steel.
- Support arms and motor housing shall be glass reinforced Nylon 6.
- Available in a range of colours upon request.

CONTROLS

The hybrid ventilator shall be controlled by either:

1. On/off switch control, or
2. Air iQ with factory pre-set temperature control, or
3. Air iQ with factory pre-set humidity control, or
4. Air iQ with factory pre-set temperature and humidity control, or
5. Air iQ with factory customised temperature and humidity control, or
6. 0-10V operation with BMS control

ACCESSORIES

When specified, accessories such as manual damper, electric damper, EC damper grilles, and special bases (spigot, square to round and ex base) are available upon request.

WARRANTY

CSR Building Products Limited ABN 55 008 631 356 T/A Bradford Ventilation ("Bradford") warrants from the date of purchase, for a period of TWO (2) YEARS that the Electronic Commutating Motor and for a period of TEN (10) YEARS that the Turbine Body of the Edmonds EcoPower® Hybrid Ventilator will retain its performance characteristics and be free from faulty materials and workmanship on the condition that the vent is installed in accordance to the installation instructions. Please refer to Warranty Document on bradfordventilation.com.au for full details.

* Compared to traditional mechanical ventilators



Model	EP400 [^]	EP600 [^]	EP900 [^]
Power Source	Hybrid - Wind and electrical		
Dimensions on varipitch*			
Height Overall (mm)	574	734	962
Diameter Turbine (mm)	561	766	1093
Flashing Length (mm)	750	1000	1200
Flashing Width (mm)	700	1000	1200
Throat diameter (mm) @ min cross section	401	592	891
Mass*(kg)	9.4	18.2	36
Material			
Turbine Top	Aluminium		
Varipitch	Aluminium 5005		
Flashing	Aluminium 5005		
Finish	Mill / Powdercoat		
Roof slope range - varipitch	0-45°	0-45°	0-22.5°
Sound			
Sound power level (LwA) ΔP=0	65	54	54
Sound Pressure Level @ 3m distance & ΔP=0 (dB(A))	47	36	36
Electrical			
Phase	Single	Single	Single
Motor	Electronic Commutating (EC)		
Input Voltage	200-277 VAC	200-277 VAC	200-277 VAC
Input Voltage (Hz)	50/60	50/60	50/60
Max. running current draw (A)	0.28	0.47	1.21
Max. running power consumption (W)	60	99	212
Flow rate at ΔP=0			
m ³ /hr	2448	4356	10321
m ³ /s	0.68	1.21	2.87
l/hr	2448000	4356000	10321000
l/s	680	1210	2867
Accessories			
Electric Dampers	•	•	•
Temperature Variable Speed Control	•	•	•
Thermostat	•	•	•
Humidistat	•	•	•
0-10V variable speed control	•	•	•
Special bases - spigot slope	•	•	•
Special bases - spigot ridge	•	•	•
Special bases - square to round slope	•	•	•
Special bases - square to round ridge	•	•	•
Special bases - spigot curb mount	•	•	•
Special bases - square to round pyramid	•	•	•
Special bases - spigot pyramid	•	•	•
Special bases - EX base	•	•	•
Sparkguard	•	•	•
Australian designed and built	•	•	•
Manufactured in ISO 9001 facility	•	•	•

*Total Dimension +/-5mm, Weight +/- 0.5kg

1300 858 674

www.bradfordventilation.com.au

Bradford® and EcoPower® are registered trademarks of CSR Building Products Limited

ABN 55008631356.

COLORBOND® is a registered trade mark of Bluescope Steel Limited.

Copyright 2019. Publication: B0129A 10/19

